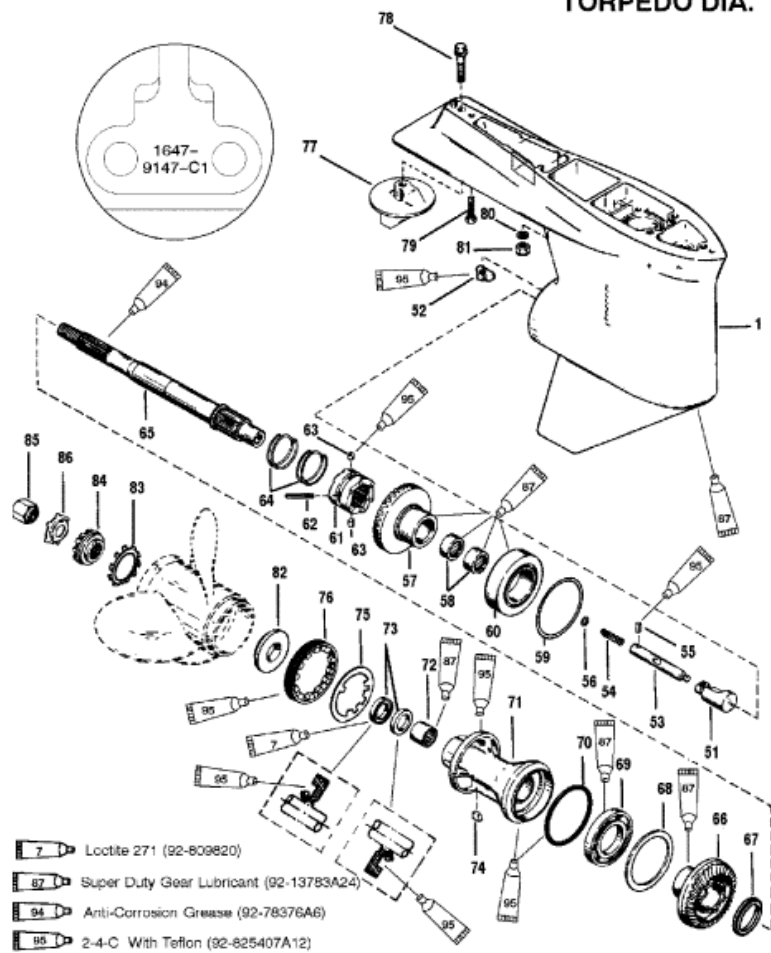


4.75 IN./120.65MM  
 TORPEDO DIA.



- Loctite 271 (92-809820)
- Super Duty Gear Lubricant (92-13783A24)
- Anti-Corrosion Grease (92-78376A6)
- 2-4-C With Teflon (92-825407A12)

18951

Parts List						
Ref	Class	Part	Description	Qty	Comment	Footnote
1	1647	9148A47	GEAR HOUSING	1	(Black, Basic)	
1	1647	9148A48	GEAR HOUSING	1	(Gray, Basic)	
51		89594A 1	FOLLOWER	1		
52		78956 2	SHIFT CAM	1		5
53		79911A 1	ROD	1		
54	24	79910	SPRING	1		
55	17	78906	PIN	1		
56	12	78910	WASHER	AR		9
57	43	44104A 8	GEAR SET	1	(XR6/Magnum III/175/200) (1.87:	
57	43	44102A 7	GEAR SET	1	(135/150) (2.0:1 - 14/28)	
57	43	16294A 5	GEAR SET	1	(High Altitude) (2.3:1 - 13/30)	
58	31	54928 1	ROLLER BEARING	1		
59	15	47397A 1	SHIM SET (.002-3-5-10)	AR		9
60	31	78172A 1	BEARING ASSEMBLY, Tapered Ri	1		
61	52	823174	CLUTCH	1		
62	17	78905	PIN, Cross	1		
63	17	78909	PIN, Detent	2		
64	24	78962	SPRING	2		
65	44	94148	PROPELLER SHAFT	1		
66	43	824986A 2	REVERSE GEAR	1	(XR6/Magnum III/175/200) (1.87:	
66	43	824987A 2	REVERSE GEAR	1	(135/150) (2.0:1 - 14/28)	
66		NSS	NOT SOLD SEPARATE, Reverse (	1	(Part Of 43- 16294A 2) (2.3:1 - 13/	7
67	23	824108	SPACER, Not Used With High All	1		
68		68100 1	RING, Thrust	1		
69	30	88957	BEARING ASSEMBLY, Ball	1		5
70	25	31534	O-RING	1		4,8
71		43567A 1	BEARING CARRIER ASSEMBLY	1		
72	31	30956	BEARING, Needle	1		
73	26	76868	SEAL	2		8
74	28	30281	KEY	1		
75	14	79447	TAB WASHER	1		
76		79448	RETAINER	1		
77		31640 5	TRIM TAB	1		
78	10	806327	SCREW, (.437-14 x 1.750)	1		
79	10	65210	SCREW, (.375-16 x 1.00)	1	(These Replacement Parts Are No	
80	12	45176	WASHER, (.453 x .812 x .105)	2	(These Replacement Parts Are No	
81	11	34933	NUT, (.437-20)	2	(These Replacement Parts Are No	
82	12	835467 1	THRUST HUB	1	(These Replacement Parts Are No	5
83	13	42351 1	LOCKWASHER, Toothed	1	(These Replacement Parts Are No	
84	12	31211A 2	WASHER, Splined	1	(These Replacement Parts Are No	
95	11	52707A 1	NUT KIT, Propeller	1	(These Replacement Parts Are No	